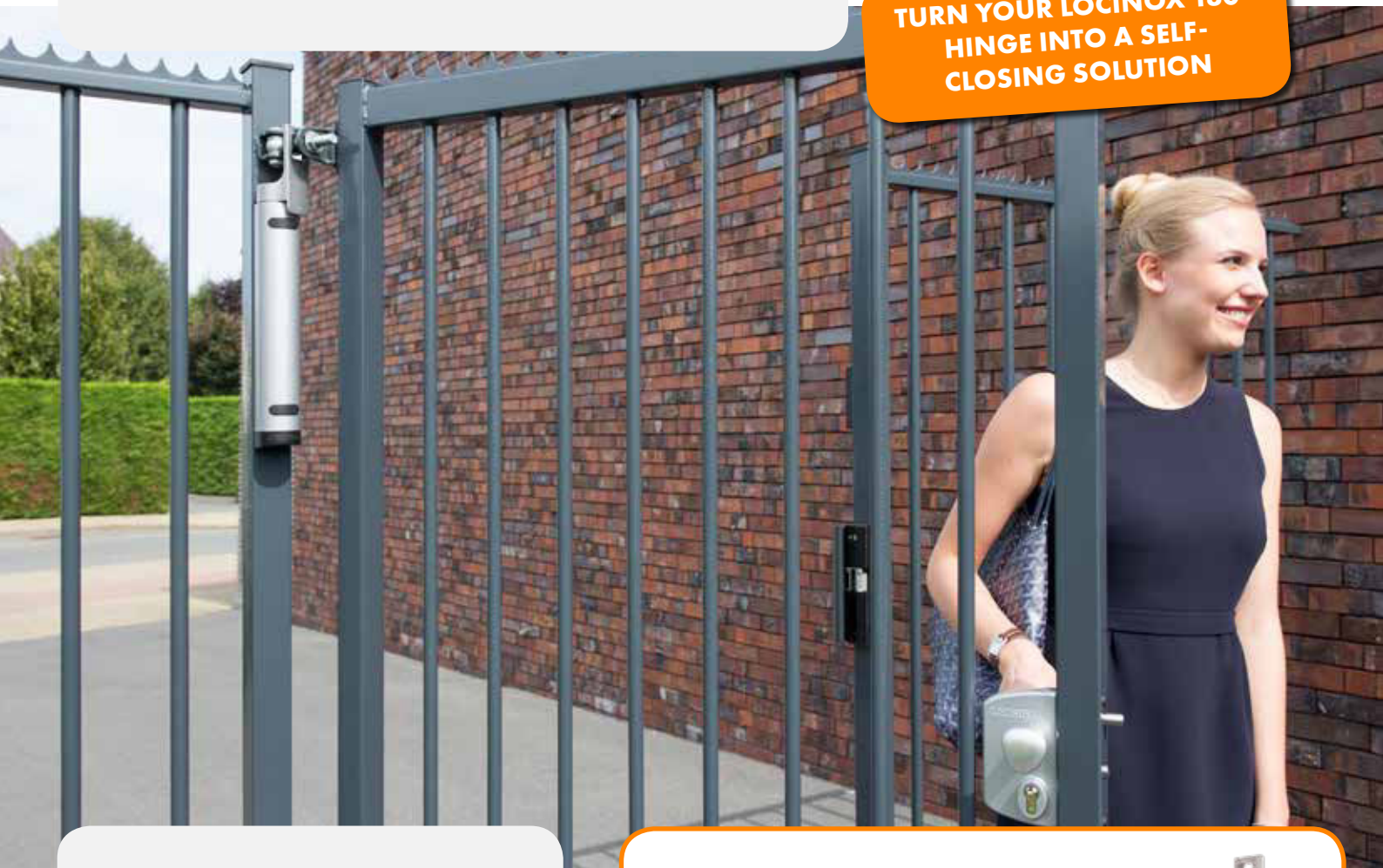


# LOCINOX

Let's make better fences together

## RHINO HYDRAULIC 180° GATE CLOSER

TURN YOUR LOCINOX 180° HINGE INTO A SELF-CLOSING SOLUTION



Rhino is perfectly suitable for assembly on Locinox 180° hinges with movable eyebolt. The assembly of this high quality gate closer is very simple thanks to the physical coupling to the Locinox hinge - the correct alignment of the gate closer becomes thus unnecessary. Both closing speed and final snap are easily adjustable guaranteeing full flexibility and a perfect functioning in all possible weather conditions.



- ✓ FULLY COMPATIBLE WITH LOCINOX 180° HINGES
- ✓ COMPACT & AESTHETIC DESIGN
- ✓ AUTOMATIC 180° CLOSING
- ✓ LEFT & RIGHT MOUNTING
- ✓ ADJUSTABLE SPEED & FINAL SNAP
- ✓ 100% WEATHERPROOF
- ✓ EXCELLENT QUALITY



Modularity



Ease of Installation



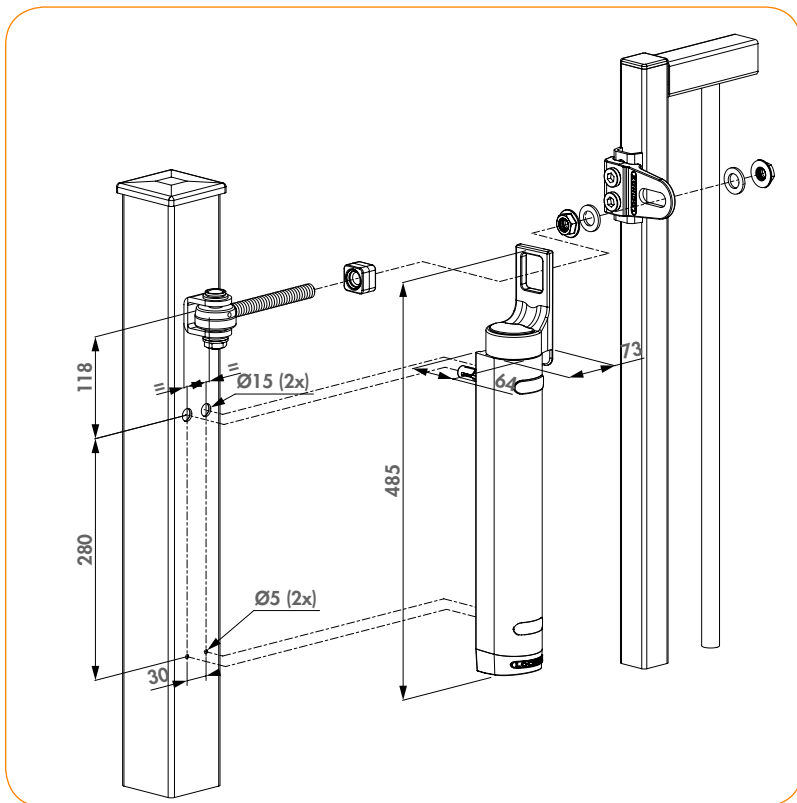
Trusted Quality



Full Support

TECHNICAL INFORMATION ON REVERSE SIDE

## TECHNICAL DRAWINGS



## CHARACTERISTICS

- For gates up to 150kg (max 1,5m wide)
- Direct assembly on 180° hinges M16 & M20 (GBMU & GBMU4D)
- Fast and easy fixing: Quick-Fix
- Easy left or right mounting
- Adjustable closing speed and final snap
- Extremely corrosion-resistant: aluminium powder-coated housing
- Tested from -30 °C up to +70 °C
- Tested at 500.000 movements
- Recommended:
  - Use of Rhinodrill for easy installation
  - Moveable eyebolt (1034-ROLL-M16)

## RHINODRILL: ASSEMBLY AND DRILL CALIBRE

**RECOMMENDED:**  
GUARANTEES A FAST,  
EASY AND PRECISE  
INSTALLATION



## COMPATIBLE WITH 180° HINGES

1034-ROLL-HDG



1034-ROLL-HDG



### INSTALL ULTRA FAST

Rhino is very easy and very quick to install. Discover the video for a step-by-step installation on our website, or scan the QR code.